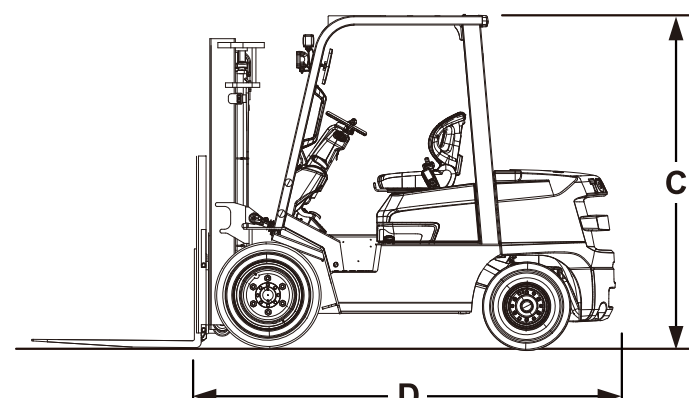
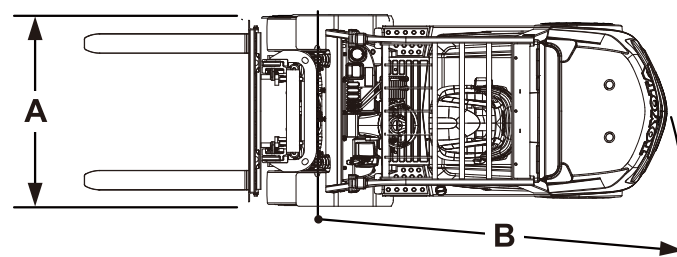


MAIN SPECIFICATIONS

Model		FGZN20	FDZN20	FGZN25	FDZN25	FGZN30	FDZN30
Engine Model		4Y Gasoline	1DZ-II Diesel	4Y Gasoline	1DZ-II Diesel	4Y Gasoline	1DZ-II Diesel
Load Capacity	kg	2000		2500		3000	
Load Center	mm	500		500		500	
Overall Width	A mm	1150		1150		1255	
Turning Radius (outside)	B mm	2200		2260		2400	
Overhead Guard Height	C mm	2130		2130		2195	
Length to Fork Face	D mm	2570		2650		2770	

ENGINE SPECIFICATIONS

Model		TOYOTA 4Y Gasoline	TOYOTA 1DZ- Diesel
Piston Displacement	cc	2237	2486
Rated Power/r.p.m.	kW	30/2000	35/2200
Rated Torque/r.p.m.	N-m	153/1600	156/2100



The data in this brochure was determined based on our standard testing condition. Operating performance may vary depending on the actual specifications and condition of the vehicle, as well as the conditions of the operating area.
 Due to photography and printing, the color of actual vehicle may vary from this brochure. Some photos have been computer-enhanced.
 Availability and specifications are determined by market and are subject to change without notice.
 Safe forklift operation is achieved by proper operator training and proper worksite rules. Please consult your Toyota representative regarding forklift selection and operator training.
 Please consult your Toyota representative for details.



All rights reserved by Toyota Industries Corporation.



TOYOTA MATERIAL HANDLING INTERNATIONAL

CAT.FGZN/FDZN20-30 (E) /E-2207/©/Printed in Japan/No.711640E0/000

ENGINE POWERED FORKLIFT

2.0 to 3.0 TON

FGZN/FDZN SERIES



