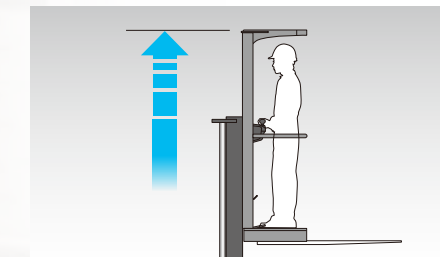


# 8FBP SERIES

## OUTSTANDING STABILITY



**Automatic Vehicle-speed Control**  
This controls vehicle speed as well as acceleration and deceleration according to lift height, achieving both stable travel and good productivity.



**Shockless Ascent Stop**  
The system reduces the lifting speed near the end of the ascent stroke, reducing jolting when maximum lift height is reached.  
Note: Available when the Deluxe Multifunction Display is selected.



**Fork Stuck Descent Stop**  
This detects stuck forks, and warns the operator by visual indicator and sound, thereby ensuring that the platform descends only when the forks are disengaged.

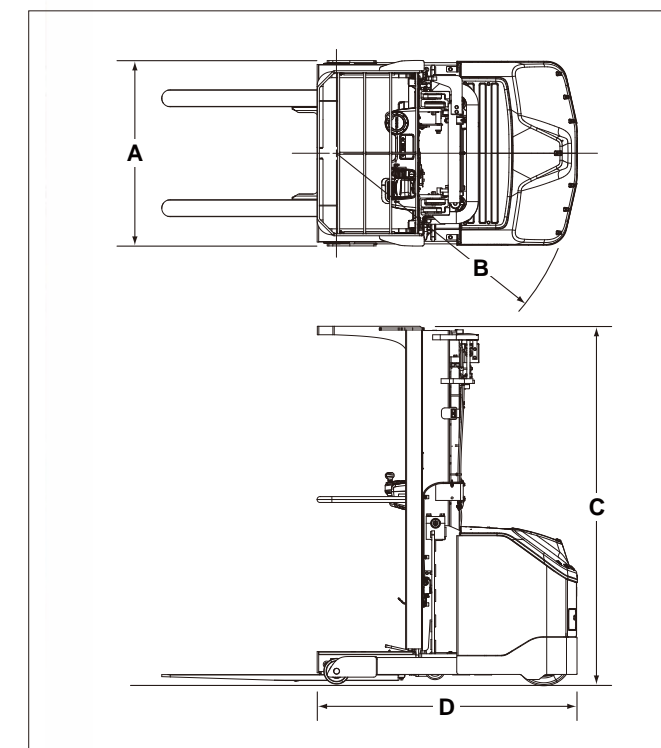
## MAIN SPECIFICATIONS

Model		8FBP7	8FBP9	8FBP10	8FBP15
Load Capacity	kg	700	900	1000	1500
Load Center	mm	500	500	600	600
Overall Width	A mm	1090	1090	1090	1090
Turning Radius (outside)	B mm	1420	1420	1420	1520
Overhead Guard Height	C mm	2115	2115	2115	2115
Length to Fork Face	D mm	1535	1535	1535	1645

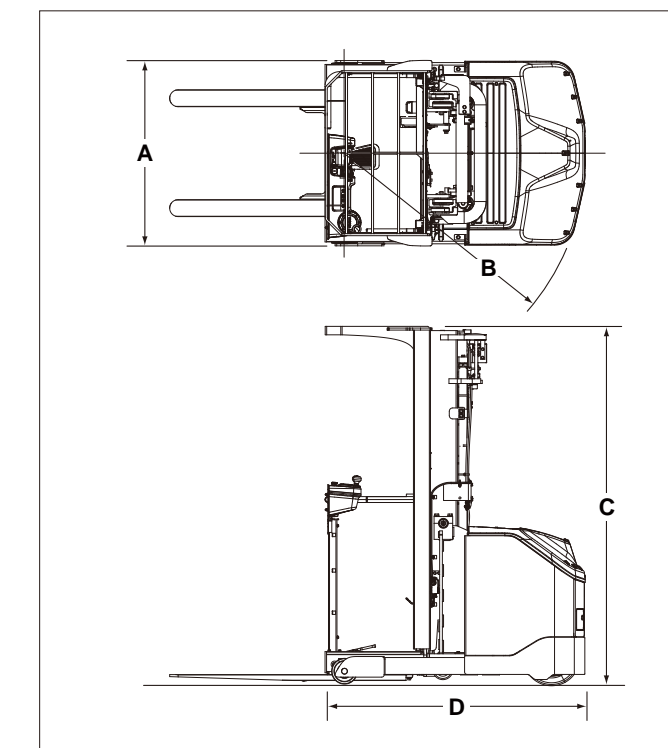
## BATTERY AND MOTOR SPECIFICATIONS

Model		8FBP7	8FBP9	8FBP10	8FBP15	
Voltage/Capacity (5-hour ratings)	Min.	V/Ah	48/165	48/201	48/201	48/240
	Max.	V/Ah	48/240	48/240	48/240	48/280
Electric Motors	Drive	kW	4.9	4.9	4.9	4.9
	Load Handling	kW	8.0	8.0	8.0	8.0
	Power Steering	kW	0.26	0.26	0.26	0.26

## PF (Power Unit Forward) type



## FF (Fork Forward) type OPT



The data in this brochure was determined based on our standard testing conditions. Operating performance may vary depending on the actual specifications and condition of the vehicle, as well as the conditions of the operating area.  
Due to photography and printing, the color of actual vehicle may vary from this brochure. Some photos have been computer-enhanced.  
Availability and specifications are determined by market and are subject to change without notice.  
Safe operation is achieved by proper operator training and proper worksite rules. Please consult your Toyota representative regarding model selection and operator training.  
Please consult your Toyota representative for details.



All rights reserved by Toyota Industries Corporation.

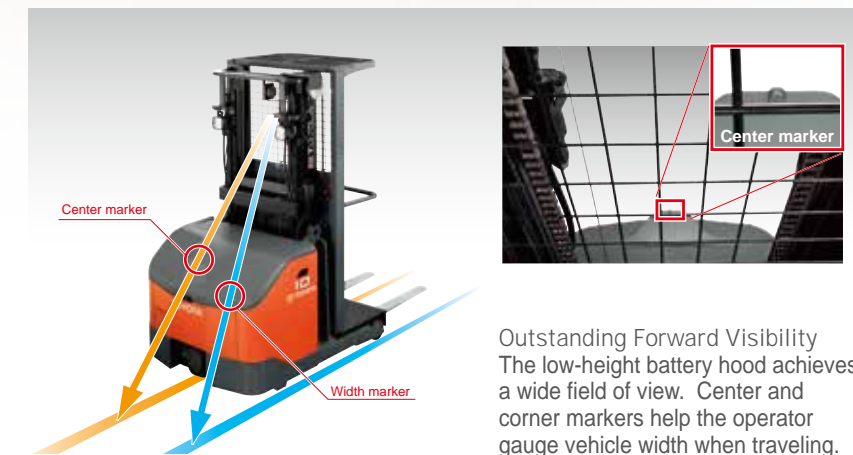
ELECTRIC POWERED ORDER PICKING TRUCK

8FBP 0.7 to 1.5 ton

# 8FBP SERIES



## OUTSTANDING VISIBILITY



**Outstanding Forward Visibility**  
The low-height battery hood achieves a wide field of view. Center and corner markers help the operator gauge vehicle width when traveling.



TOYOTA MATERIAL HANDLING INTERNATIONAL

CAT.8FBP 7-15 (E) /E-2207/ ©Printed in Japan/No.711460E0/000



