

# Very narrow aisle truck 1.0 - 1.5 ton



## **BT vector**

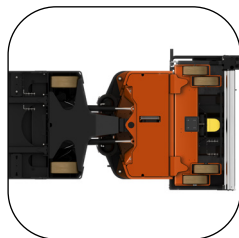
*A-series*

VCE100A

VCE120A

VCE150A

VCE125ASF



# Very Narrow Aisle truck

Specifications				VCE100A	VCE120A	VCE150A	VCE125ASF	
Identification	1.1	Manufacturer		Toyota	Toyota	Toyota	Toyota	
	1.2	Model		VCE100A	VCE120A	VCE150A	VCE125ASF	
	1.3	Drive		Electric	Electric	Electric	Electric	
	1.4	Operator type		Seated	Seated	Seated	Seated	
	1.5	Load capacity/rated load	Q	kg	1000	1200	1500	1250
	1.6	Load centre	c	mm	600	600	600	600
	1.9	Wheelbase	y	mm	1655	1655	1655	1655
Weight	2.1	Service weight without battery		kg	6920*	6920*	6920*	6920*
	2.2	Axle load, with load, drive/support arm wheel		kg	4303/5795	4303/5795	4303/5795	4303/5795
	2.3	Axle load, without load, drive/support arm wheel		kg	5182/3415	5182/3415	5182/3415	5182/3415
Wheels	3.1	Drive/support arm wheel			Vulkollan	Vulkollan	Vulkollan	Vulkollan
	3.2	Wheel size, front		mm	ø300x100	ø300x100	ø300x100	ø300x100
	3.3	Wheel size, rear		mm	ø350x128	ø350x128	ø350x128	ø350x128
	3.5	Wheels, number front/rear (X = driven wheels)				4/2X	4/2X	4/2X
	3.6	Track width, front	b <sub>10</sub>	mm	1008/1158	1008/1158/1258/ 1358/1438	1008/1158/1258/ 1358/1438	1008/1158/1258/ 1358/1438
	3.7	Track width, rear	b <sub>11</sub>	mm	1010	1010	1010	1010
	Dimensions	4.2	Height, mast lowered	h <sub>1</sub>	mm	4405*	4405*	4450*
4.4		Lift movement	h <sub>3</sub>	mm	5730*	5730*	8190*	8190*
		Total lift height	h <sub>23</sub>	mm	7800*	7800*	10250*	10250*
4.5		Height, mast extended	h <sub>4</sub>	mm	8511*	8511*	10961*	10961*
4.7.1		Height of overhead guard (cabin)	h <sub>6</sub>	mm	2544	2544	2544	2544
4.7.2		Height of cabin inside	h <sub>21</sub>	mm	2062,5-2065,5	2062,5-2065,5	2062,5-2065,5	2062,5-2065,5
4.7.3		Height of cabin sides	h <sub>22</sub>	mm	900	900	900	900
4.7.4		Carpet thickness		mm	17,5	17,5	17,5	17,5
4.8		Step-in height	h <sub>7</sub>	mm	412	412	412	412
4.11		Additional lift	h <sub>9</sub>	mm	1990/2590	1990/2590	1990/2590/3090	1990/2590/3090
4.14		Platform height, elevated	h <sub>12</sub>	mm	6150*	6150*	8600*	8600*
4.15		Height of lowered forks	h <sub>13</sub>	mm	80	80	80	80
		Height of auxiliary lift mast	h <sub>15</sub>	mm	2781/3381	2781/3381	2781/3381/3941	2781/3381/3941
4.19		Overall length	l <sub>1</sub>	mm	3846	3846	3846	3846
4.20		Length to face of forks	l <sub>2</sub>	mm	3616	3616	3616	3616
4.21.1		Chassis width, rear	b <sub>1</sub>	mm	1270	1270	1270	1270
4.21.2		Chassis width, front	b <sub>2</sub>	mm	1270/1420	1270/1420	1270/1420/1520/ 1620/1700	1270/1420/1520/ 1620/1700
4.21.3		Cabin width	b <sub>24</sub>	mm	1220-1820	1220-1820	1220-1820	1220-1820
4.22		Fork dimensions	s	mm	40/45	40/45	40/45	40/45
			e	mm	120/125	120/125	120/125	120/125
		l	mm	600-1800	600-1800	600-1800	600-1800	
4.25	Width over forks	b <sub>5</sub>	mm	min 380, max 793/1193/1493	min 380, max 793/1193/1493	min 380, max 793/1193/1493	min 380, max 793/1193/1493	
4.31	Ground clearance, with load, below mast	m <sub>1</sub>	mm	60	60	60	60	
	Turning radius	W <sub>A</sub>	mm	1698	1698	1698	1698	
4.38	Distance front axle to boom pivot	l <sub>8</sub>	mm	830,5-1830,5	830,5-1830,5	830,5-1830,5	830,5-1830,5	
	Entrance width, min/max	l <sub>24</sub>	mm	398/622,5	398/622,5	398/622,5	398/622,5	
Performance data	5.1	Travel speed, with/without load		km/h	9,0/9,0	9,0/9,0	10,0/12,0	10,0/12,0
	5.2	Lift speed, with/without load		m/s	0,40/0,45	0,40/0,45	0,40/0,45	0,40/0,45
	5.3	Lowering speed, with/without load		m/s	0,40/0,40	0,40/0,40	0,40/0,40	0,40/0,40
	5.10	Service brake			Electric	Electric	Electric	Electric
	5.11	Parking brake			Electro-mechanical	Electro-mechanical	Electro-mechanical	Electro-mechanical
	Electric motor	6.1	Drive motor rating S2 60 min		kW	2x5,5	2x5,5	2x5,5
6.2		Lift motor rating S3 25%		kW	14,5	14,5	14,5	14,5
6.4		Battery voltage, nominal capacity K <sub>5</sub>		V/Ah	48/930	48/930*	48/1240*	48/1240*
6.5		Battery weight		kg	1300	1300*	1790*	1790*
Other		8.1	Type of drive control			Variable AC	Variable AC	Variable AC

\* Other dimensions available.

All data are based on table configuration. Other configurations may give other values.  
Truck performance and dimensions are nominal and subject to tolerances.  
Toyota Material Handling products and specifications are subject to change without notice.

Note 1: The measure is to a point between the double wheels.  
Note 2: An imaginary line halfway between the double wheels.

# Mast dimensions

# BT vector

Mast				Duplex Tele Mast					
VCE100A/120A	Platform height		$h_{12}$	mm	3550	5150	6150	7750	8850
	Picking height		$h_{28}$	mm	5150	6750	7750	9350	10450
	Height, mast lowered		$h_1$	mm	3150	3950	4405	5405	5955
	Total lift height	Auxiliary mast $h_g = 1990$	$h_{23}$	mm	5200	6800	7800	9400	10500
Auxiliary mast $h_g = 2530$		$h_{23}$	mm	5740	7340	8340	9940	11040	

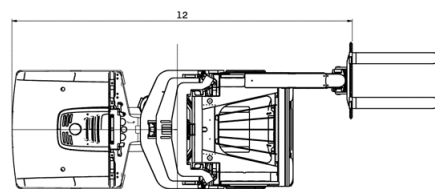
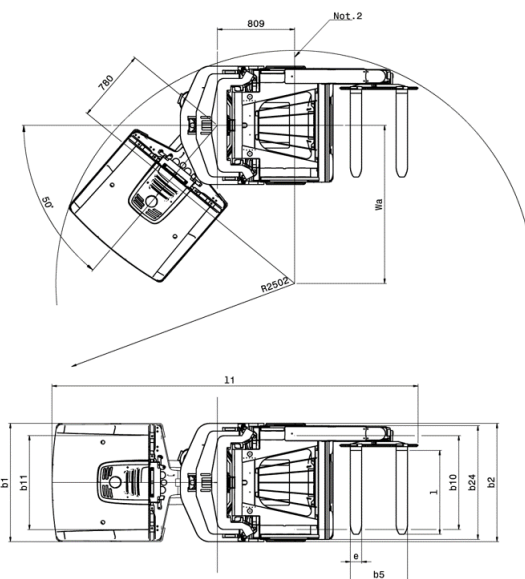
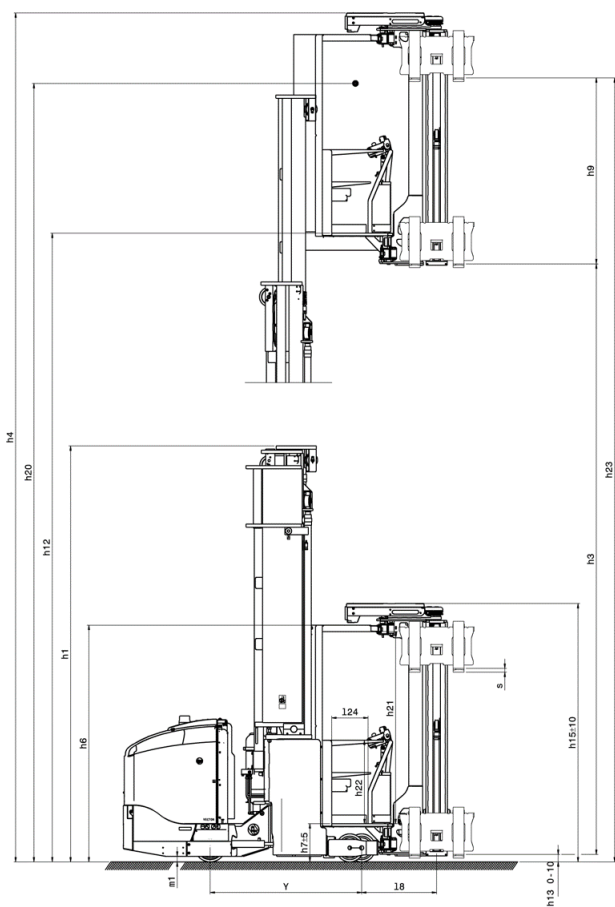
Mast				Triplex Tele Mast												
VCE125ASF/150A	Platform height		$h_{12}$	mm	4100	4700	5300	6050	7400	8600	9800	11000	11600	12650	14050	
	Picking height		$h_{28}$	mm	5700	6300	6900	7650	9000	10200	11400	12600	13200	14250	15650	
	Height, mast lowered		$h_1$	mm	2790	2960	3160	3460	3960	4460	4960	5460	5660	6040	6200	
	Total lift height	VCE125ASF	Auxiliary mast $h_g = 750$	$h_{23}$	mm	4790	5390	5990	6740	8090	9290	10490	11690	12290	13340	n/a
		VCE150A	Auxiliary mast $h_g = 1990$	$h_{23}$	mm	5750	6350	6950	7700	9050	10250	11450	12650	13250	14300	n/a
Auxiliary mast $h_g = 2530$			$h_{23}$	mm	n/a	n/a	7490	8240	9590	10790	11990	13190	13790	14840	n/a	
Auxiliary mast $h_g = 3090$			$h_{23}$	mm	n/a	n/a	n/a	n/a	n/a	n/a	n/a	n/a	n/a	n/a	16800	

$h_{12}$  = cabin floor height, calculated from cabin floor height 410 mm for lowered cabin.

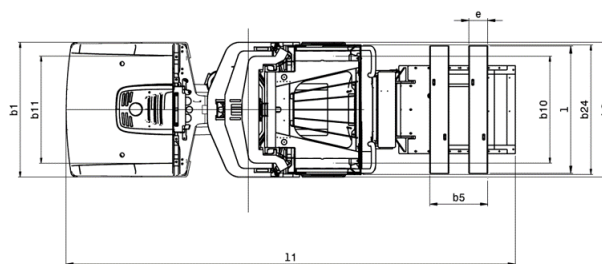
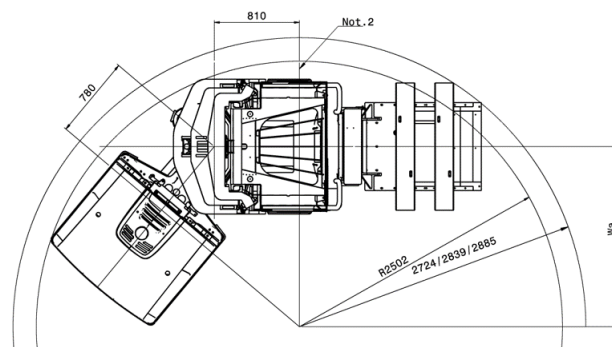
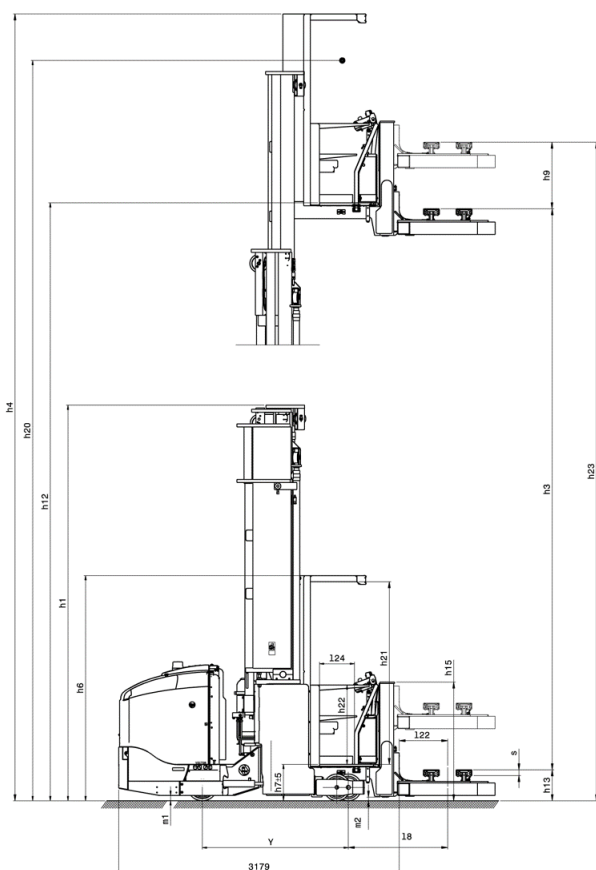
# Dimensional drawings

# BT vector

VCE100A, VCE120A, VCE150A



VCE125ASF



---

## Truck features:

- Articulated steering
- Four wheeled chassis
- Twin drive units
- Quadset support wheels
- Personal protection system (option)
- Beltdriven fork movement
- Advanced lifting system (VCE150A/125ASF)

