

# Pedestrian stacker truck 1.45 - 2.0 ton



## **BT staxio**

*W-series*

SWE145L

SWE160L

SWE200L



**TOYOTA**

TOYOTA MATERIAL HANDLING INTERNATIONAL

# Pedestrian stacker with elevating support arms

Specifications				SWE145L	SWE160L	SWE200L	
Identification	1.1	Manufacturer		Toyota	Toyota	Toyota	
	1.2	Model		SWE145L	SWE160L	SWE200L	
	1.3	Drive		Electric	Electric	Electric	
	1.4	Operator type		Pedestrian	Pedestrian	Pedestrian	
	1.5	Load capacity/rated load	Q	kg	1450	1600	2000
		Support arm capacity	Q	kg	2000	2000	2000
	1.6	Load center	c	mm	600	600	600
	1.8	Load distance, centre of support arm wheel to face of forks raised support arms	x	mm	661	661	644
		lowered support arms	x	mm	692	692	675
1.9	Wheelbase						
	raised support arms	y	mm	1397	1397	1397	
	lowered support arms	y	mm	1428	1428	1428	
Weight	2.1	Service weight incl. battery		kg	1439	1439	1660
	2.2	Axle load, with load, drive/castor/fork wheel		kg	540/495/1854	560/484/1995	670/512/2478
	2.3	Axle load, without load, drive/castor/fork wheel		kg	400/545/494	400/545/494	400/674/586
Wheels	3.1	Drive/castor/fork wheel			Friction/Vulkollan®/Vulkollan®		
	3.2	Wheel size, front		mm	Ø 230	Ø 230	Ø 230
	3.3	Wheel size, rear		mm	Ø 85	Ø 85	Ø 85
	3.4	Additional wheel size		mm	Ø 125	Ø 125	Ø 125
	3.5	Wheels, number front/rear (x = driven wheels)			1x+2/2 or 4	1x+2/2 or 4	1x+2/2 or 4
	3.6	Track width, front	b <sub>10</sub>	mm	585	585	585
	3.7	Track width, rear	b <sub>11</sub>	mm	370	370	390
Dimensions	4.2	Height, mast lowered	h <sub>1</sub>	mm	1946	1946	1946
	4.3	Free lift	h <sub>2</sub>	mm	1478	1478	1378
	4.4	Lift	h <sub>3</sub>	mm	4060	4060	3960
		Lift height	h <sub>23</sub>	mm	4150	4150	4050
	4.5	Height, mast extended	h <sub>4</sub>	mm	4668	4668	4668
	4.6	Initial Lift	h <sub>5</sub>	mm	120	120	120
	4.9	Height of tiller in drive position, min./max.	h <sub>14</sub>	mm	869/1294	869/1294	869/1294
	4.15	Height, fork lowered	h <sub>13</sub>	mm	90	90	90
	4.19	Overall length	l <sub>1</sub>	mm	2045	2045	2056
	4.20	Length to face of forks	l <sub>2</sub>	mm	895	895	906
	4.21	Overall width	b <sub>1</sub> /b <sub>2</sub>	mm	790/—	790/—	790/—
	4.22	Fork dimensions	s/e/l	mm	70/180/1150	70/180/1150	70/185/1150
	4.25	Width over forks	b <sub>5</sub>	mm	570	570	575
	4.32	Ground clearance, center of wheelbase	m <sub>2</sub>	mm	19,5	19,5	19,5
4.33	Aisle width for pallets 1000x1200 crossways	A <sub>st</sub>	mm	2448	2448	2458	
4.34	Aisle width for pallets 800x1200 lengthways	A <sub>sl</sub>	mm	2340	2340	2353	
4.35	Turning radius	W <sub>a</sub>	mm	1493	1493	1590	
Performance data	5.1	Travel speed, with/without load		km/h	6,0/6,0	6,0/6,0	6,0/6,0
	5.2	Lift speed, with/without load		m/s	0,17/0,33	0,15/0,31	0,13/0,24
	5.3	Lowering speed, with/without load		m/s	0,45/0,45	0,45/0,45	0,38/0,45
	5.8	Max. gradeability, with/without load		%	7/12 <sup>1)</sup>	7/12 <sup>1)</sup>	7/12 <sup>1)</sup>
	5.9	Acceleration time (over 10 m)		s	7,1	7,2	7,4
5.10	Service brake			Electromagnetic	Electromagnetic	Electromagnetic	
Electric motor	6.1	Drive motor rating (S2 60min)			1,8	1,8	1,8
	6.2	Lift motor rating (S3 15%)		kW	3	3	3
	6.4	Battery voltage, nominal capacity K <sub>S</sub>		V/Ah	24/300	24/300	24/300
	6.5	Battery weight		kg	195-270	195-270	195-270
	6.6	Energy consumption acc to VDI cycle		kWh/h	1,078	1,078	
Others	8.1	Type of drive control			Variable AC	Variable AC	Variable AC
	8.4	Sound level at the driver's ear according to EN 12 053		dB (A)	66	66	67

1) Measured according to company standard. 8/12 with 1600 kg on the support arms.  
Data is based on standard truck and small battery.

All data are based on table configuration. Other configurations may give other values. Truck performance and dimensions are nominal and subject to tolerances.  
Toyota Material Handling Manufacturing Sweden AB products and specifications are subject to change without notice.

# Battery dependent dimensions

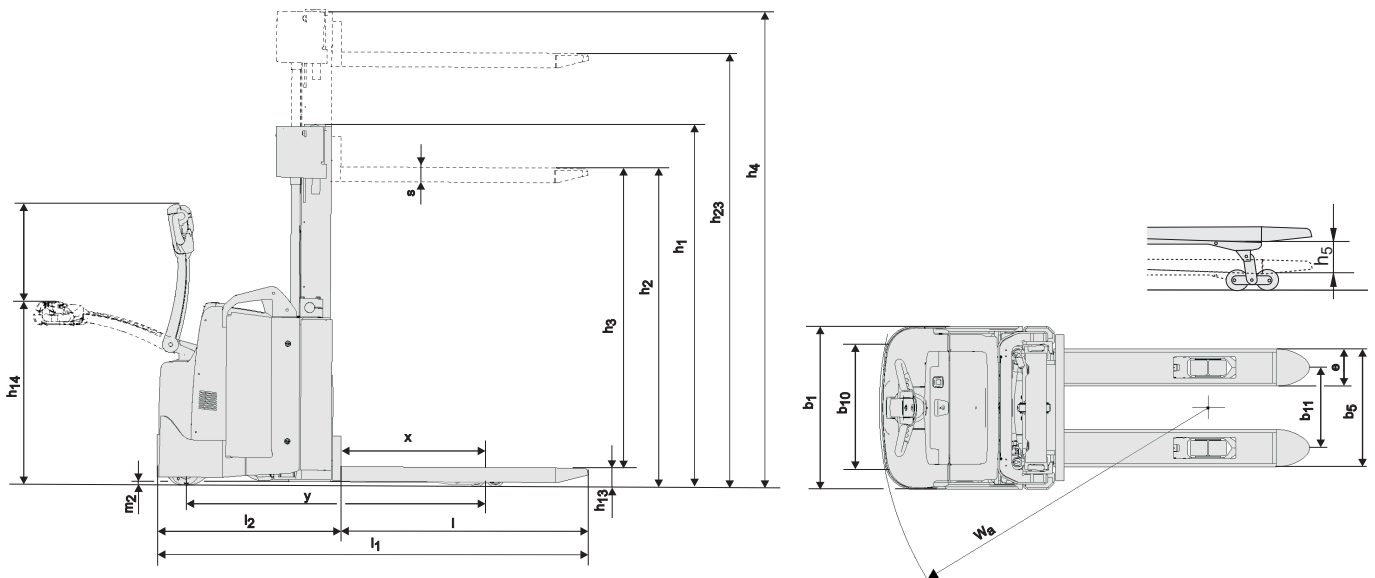
Dimensions		Battery		SWE145L				SWE160L				SWE200L			
				Lift out		Sideways		Lift out		Sideways		Lift out		Sideways	
				S	L*	S	L*	S	L*	S	L*	S	L*	S	L*
1.9	Wheelbase														
	raised support arms	y	mm	1397	1494	1397	1494	1397	1494	1397	1494	1397	1494	1397	1494
	lowered support arms	y	mm	1428	1525	1428	1525	1428	1525	1428	1525	1428	1525	1428	1525
4.19	Overall length	$l_1$	mm	2045	2142	2045	2142	2045	2142	2045	2142	2056	2153	2056	2153
4.20	Length to face of forks	$l_2$	mm	895	992	895	992	895	992	895	992	906	1003	906	1003
4.33	Aisle width for pallets 1000x1200 crossways	$A_{st}$	mm	2448	2545	2448	2545	2448	2545	2448	2545	2458	2555	2458	2555
4.34	Aisle width for pallets 800x1200 lengthways	$A_{st}$	mm	2340	2437	2340	2437	2340	2437	2340	2437	2353	2450	2353	2450
4.35	Turning radius	$W_8$	mm	1493	1590	1493	1590	1493	1590	1493	1590	1493	1590	1493	1590
6.4	Battery voltage, nominal capacity $K_5$		V/Ah	24/300	24/500	24/300	24/500	24/300	24/500	24/300	24/500	24/300	24/500	24/300	24/500
6.5	Battery weight, min.—max.		kg	195-310	345-405	195-310	345-405	195-310	345-405	195-300	345-405	195-310	345-405	195-310	345-405

\* DIN battery will give same truck dimensions as for the large battery

# Mast dimensions

Mast			Duplex Tele Panoramic View					Duplex HiLo					Triplex HiLo									
SWE145L	$h_{23}$	Lift height ( $h_{13}+h_3$ )	mm	2350	2800	3300	3700	4150	2350	2500	2800	3300	3700	4150	3300	3700	3950	4150	4500	4800	5400	—
	$h_3$	Lift	mm	2260	2710	3210	3610	4060	2260	2410	2710	3210	3610	4060	3210	3610	3860	4060	4410	4710	5310	—
	$h_1$	Height, mast lowered	mm	1737	1962	2212	2412	2637	1736	1811	1961	2211	2411	2636	1662	1796	1879	1946	2062	2162	2362	—
	$h_2$	Free lift, ground to top of forks	mm	—	—	—	—	—	1256	1332	1482	1732	1932	2156	1194	1328	1410	1478	1594	1694	1894	—
	$h_4$	Height, mast extended	mm	2892	3342	3842	4242	4692	2891	3041	3341	3841	4241	4691	3816	4218	4467	4668	5016	5316	5916	—
SWE160L	$h_{23}$	Lift height ( $h_{13}+h_3$ )	mm	2350	2800	3300	3700	4150	2350	2500	2800	3300	3700	4150	3300	3700	3950	4150	4500	4800	5400	6000
	$h_3$	Lift	mm	2260	2710	3210	3610	4060	2260	2410	2710	3210	3610	4060	3210	3610	3860	4060	4410	4710	5310	5910
	$h_1$	Height, mast lowered	mm	1737	1962	2212	2412	2637	1736	1811	1961	2211	2411	2636	1662	1796	1879	1946	2062	2162	2362	2562
	$h_2$	Free lift, ground to top of forks	mm	—	—	—	—	—	1256	1332	1482	1732	1932	2156	1194	1328	1410	1478	1594	1694	1894	2096
	$h_4$	Height, mast extended	mm	2892	3342	3842	4242	4692	2891	3041	3341	3841	4241	4691	3816	4218	4467	4668	5016	5316	5916	6520

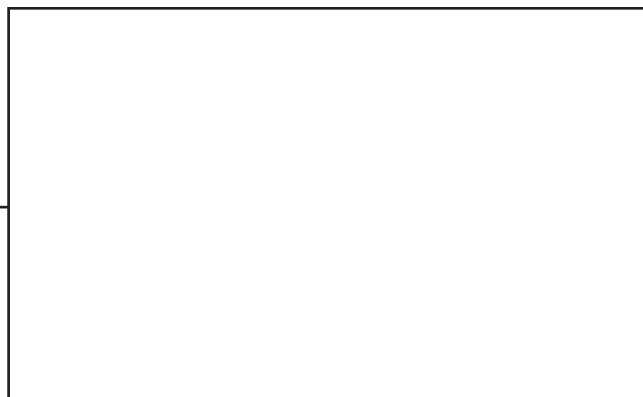
Mast			Duplex Tele Panoramic View					Duplex HiLo					Triplex HiLo					
SWE200L	$h_{23}$	Lift height ( $h_{13}+h_3$ )	mm	2150	2600	3100	3500	3950	2150	2300	2600	3100	3500	3950	3200	3600	3850	4050
	$h_3$	Lift	mm	2060	2510	3010	3410	3860	2060	2210	2510	3010	3410	3860	3110	3510	3760	3960
	$h_1$	Height, mast lowered	mm	1737	1962	2212	2412	2637	1737	1812	1962	2212	2412	2637	1662	1796	1879	1946
	$h_2$	Free lift, ground to top of forks	mm	—	—	—	—	—	1156	1232	1382	1632	1832	2056	1094	1228	1310	1378
	$h_4$	Height, mast extended	mm	2792	3242	3742	4142	4592	2792	2942	3242	3742	4142	4592	3816	4218	4467	4668



---

## Truck features:

- BT Powertrak traction system
- Optimized Truck Performance
- Fingertip controls
- Electronic braking system
- Electronic speed control
- Operator safety
- Storage compartments
- Automatic switch-off
- Programmable performance
- Easy access for maintenance
- Sensilift
- Toyota I\_site: truck fleet management system (option)
- Hydraulic oil for low temperatures (option)



**TOYOTA**

TOYOTA MATERIAL HANDLING INTERNATIONAL