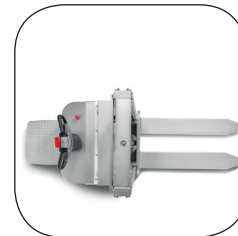
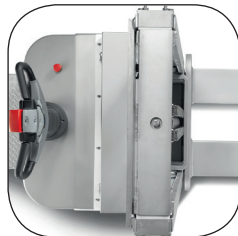


Pedestrian stacker truck 1.2 ton

BT staxio

W-series
SWE120I



Pedestrian stacker

Specification for stacker trucks					SWE120I
Identification	1.1	Manufacturer			Toyota
	1.2	Model			SWE120I
	1.3	Drive			Electric
	1.4	Operator type			Pedestrian
	1.5	Load capacity/rated load	Q	kg	1200
	1.6	Load centre	c	mm	600
	1.8	Load distance, centre of support arm wheel to face of forks	x	mm	772
	1.9	Wheelbase	y	mm	1400
	Weight	2.1	Service weight		kg
2.2		Axle load, with load, drive/castor/support arm wheel		kg	300/610/1420
2.3		Axle load, without load, drive/castor/support arm wheel		kg	320/450/345
Wheels	3.1	Drive/castor/fork wheel			Vulkollan/PU/Vulkollan
	3.2	Wheel size, front	∅	mm	230x75
	3.3	Wheel size, rear	∅	mm	85x95
	3.4	Additional wheels (dimensions)	∅	mm	125x50
	3.5	Wheels, number front/rear (x=driven wheels)			1x+2/2
	3.6	Track width, front	b ₁₀	mm	580
	3.7	Track width, rear	b ₁₁	mm	340/390/505
Dimensions	4.2	Height, mast lowered	h ₁	mm	1810 *)
	4.4	Lift	h ₃	mm	2260 *)
		Lift height	h ₂₃	mm	2350 *)
	4.5	Height, mast extended	h ₄	mm	2940 *)
	4.6	Initial lift	h ₅	mm	135
	4.8	Stand height (optional platform)	h ₇	mm	180
	4.9	Height of tiller in drive position, min./max.	h ₁₄	mm	1100/1313
	4.15	Height, fork lowered	h ₁₃	mm	90
	4.19	Overall length (without platform/ platform up/ platform down)	l ₁	mm	2030/2030/2405
	4.20	Length to face of forks (without platform/ platform up/ platform down)	l ₂	mm	880/880/1255
	4.21	Overall width	b ₁	mm	790
	4.22	Fork dimensions	s/e/l	mm	70/188/1150
	4.25	Width over forks	b ₅	mm	578
	4.31	Ground clearance, with load, below mast	m ₁	mm	25
	4.32	Ground clearance, centre of wheelbase	m ₂	mm	39
4.33	Aisle width for pallets 1000x1200 crossways	A _{st}	mm	2570	
4.34	Aisle width for pallets 800x1200 lengthways	A _{st}	mm	2411	
4.35	Turning radius (without platform/ platform up/ platform down)	W _g	mm	1662/1662/2033	
Performance data	5.1	Travel speed, with/without load		km/h	6,0/6,0
	5.2	Lift speed, with/without load		m/s	0,1/0,2
	5.3	Lowering speed, with/without load		m/s	0,36/0,2
	5.8	Max. gradeability, with/without load		%	6/13
	5.10	Service brake			Electrical
Electric motor	6.1	Drive motor rating S2 60 min		kW	2,5
	6.2	Lift motor rating at S3 5%		kW	2,2
	6.4	Battery voltage/nominal capacity K _s		V/Ah	24/240
	6.5	Battery weight		kg	175/225
Others	8.1	Type of drive control			Variable AC
	8.4	Sound level at the driver's ear according to DIN 12 053		dB(A)	85

*) Data is based on standard configuration:

Duplex Tele mast h₂₃ = 2350 mm

All data are based on table configuration. Other configurations may give other values.

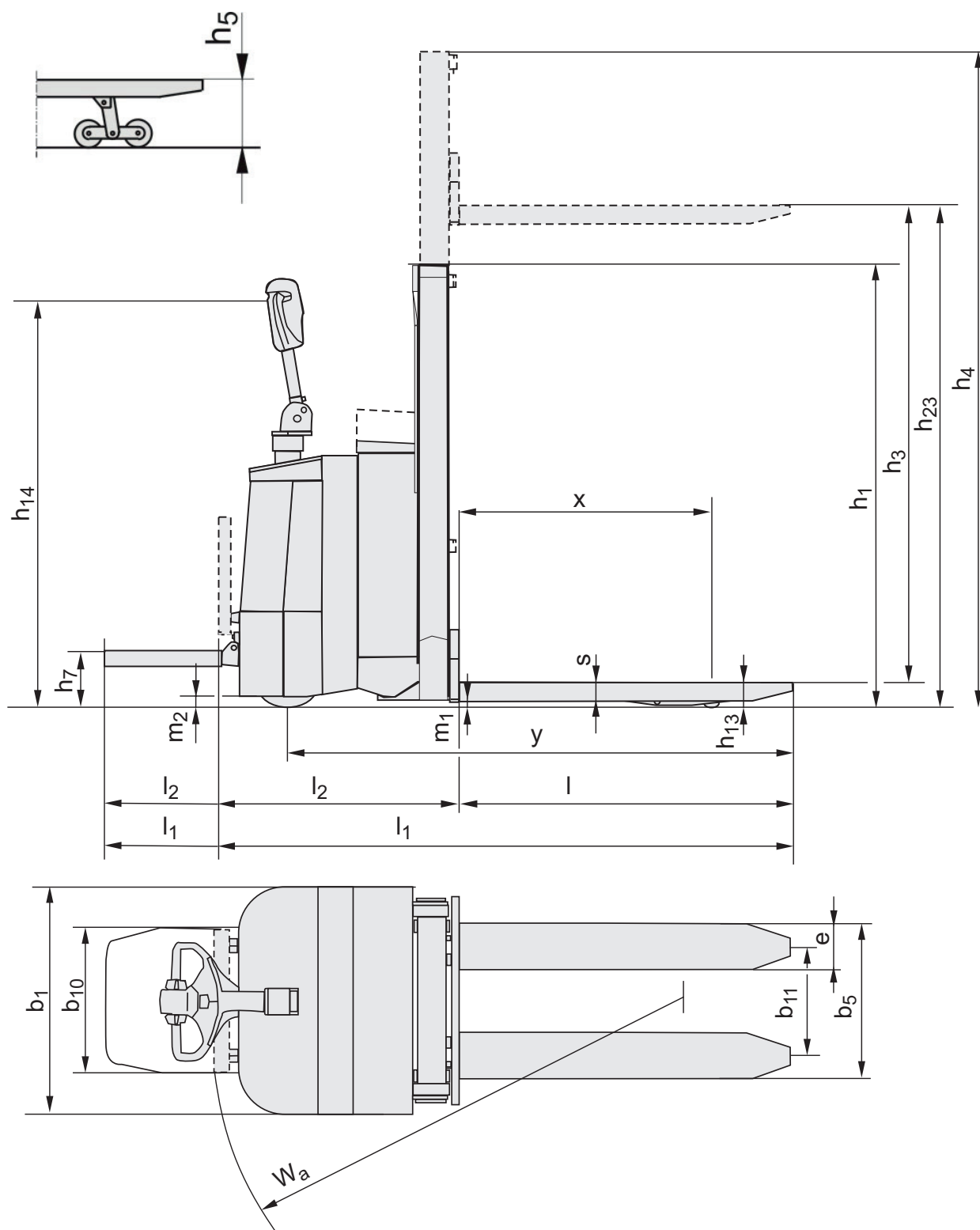
Truck performance and dimensions are nominal and subject to tolerances.

Toyota Material Handling Manufacturing Sweden AB products and specifications are subject to change without notice.

Mast dimensions

BT staxio

SWE120I			Simplex	Duplex Tele					
h_{23}	Lift height ($h_{13}+h_3$)	mm	1495	1800	2000	2350	2500	2700	2900
h_3	Lift	mm	1405	1710	1910	2260	2410	2610	2810
h_1	Height, mast lowered	mm	2085	1535	1635	1810	1885	1985	2085
h_2	Free lift, ground to top of forks	mm	1495	—	—	—	—	—	—
h_4	Height, mast extended	mm	2085	2390	2590	2940	3090	3290	3490



Truck features:

- AC drive motor
- Automatic switch-off
- BT Powertrak traction system
- Click-2-creep
- Electric brake system
- Easy access for maintenance
- Operator safety
- Elevating support arms
- Readily accessible controls
- Programmable performance
- Sensilift
- Power steering
- Flip-up operator platform

