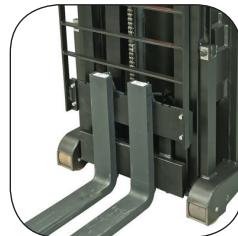


Order picking truck 1.2 ton

BT optio
L-series
OSE120CB



Order picking truck

| Truck specifications | | | | | OSE120CB |
|----------------------|---|--|--------------------------------|-------|-----------------|
| Identification | 1.1 | Manufacturer | | | Toyota |
| | 1.2 | Model | | | OSE120CB |
| | 1.3 | Drive | | | Electric |
| | 1.4 | Operator type | | | Stand on |
| | 1.5 | Load capacity/rated load | Q | kg | 1200 |
| | 1.6 | Load centre | c | mm | 500 |
| | 1.8 | Load distance, back of fork to wheel centre | x | mm | 73 |
| | 1.9 | Wheelbase | y | mm | 1448 |
| | Weight | 2.1 | Service weight without battery | | kg |
| 2.2 | | Axle load, with load, drive/support arm wheels | | kg | 615/2725 |
| 2.3 | | Axle load, without load, drive/support arm wheels | | kg | 1100/1038 |
| Wheels | 3.1 | Drive/castor/fork wheels | | | Vulkollan |
| | 3.2 | Wheel size, front | Ø x width | mm | 250x92 |
| | 3.3 | Wheel size, rear | Ø x width | mm | 140x80 |
| Dimensions | 4.2 | Height, mast lowered | h_1 | mm | 1841 |
| | 4.4 | Lift movement | h_3 | mm | 2650 |
| | | Lift height | h_{23} | mm | 2700 |
| | 4.5 | Height, mast extended | h_4 | mm | 3280 |
| | 4.7 | Height of overhead guard | h_6 | mm | 2226 |
| | 4.8 | Stand height | h_7 | mm | 135 |
| | 4.15 | Height, fork lowered | h_{13} | mm | 50 |
| | 4.19 | Overall length | l_1 | mm | 2853 |
| | 4.20 | Length to face of forks | l_2 | mm | 1703 |
| | 4.21 | Overall width | b_1/b_2 | mm | 790/861 |
| | 4.22 | Fork dimensions | $s/e/l$ | mm | 40/100/1150 |
| | 4.25 | Width over forks | b_5 | mm | 250-570 |
| | 4.31 | Ground clearance, below mast | m_1 | mm | 49 |
| | 4.32 | Ground clearance, centre of wheelbase | m_2 | mm | 72 |
| 4.34 | Aisle width for pallets 800x1200 lengthways | A_{st} | mm | 3170 | |
| 4.35 | Turning radius | W_a | mm | 1636 | |
| 4.44 | Clear width driver compartment entrance | l_{24} | mm | 450 | |
| Performance data | 5.1 | Travel speed, with/without load ^{*)} | | km/h | 7,0/12,0 |
| | 5.2 | Lift speed, with/without load | | m/s | 0,12/0,27 |
| | 5.3 | Lowering speed, with/without load | | m/s | 0,33/0,36 |
| | 5.8 | Max. gradeability, with/without load ²⁾ | | % | 9/13 |
| | 5.10 | Service brake | | | Electromagnetic |
| Electric motor | 6.1 | Drive motor rating S2 60 min | | kW | 2,8 |
| | 6.2 | Lift motor rating S3 6% | | kW | 2,2 |
| | 6.4 | Battery voltage, nominal capacity K_5 | | V/Ah | 24/465, 620 |
| | 6.5 | Battery weight, min./max. | | kg | 338/501 |
| | 6.6 | Energy consumption acc to VDI 2198 cycle ³⁾ | | kWh/h | |
| | Other | 8.1 | Type of drive control | | |
| 8.4 | | Sound level at the driver's ear according to EN 12 053 | | dB(A) | 62 |

1) With small battery, add 125 kg counterweight.

2) Measured according to company standard.

3) Contact your supplier for information.

*) Travel speed in fork direction: 6,0/10,5 km/h for all models

All data are based on table configuration. Other configurations may give other values.

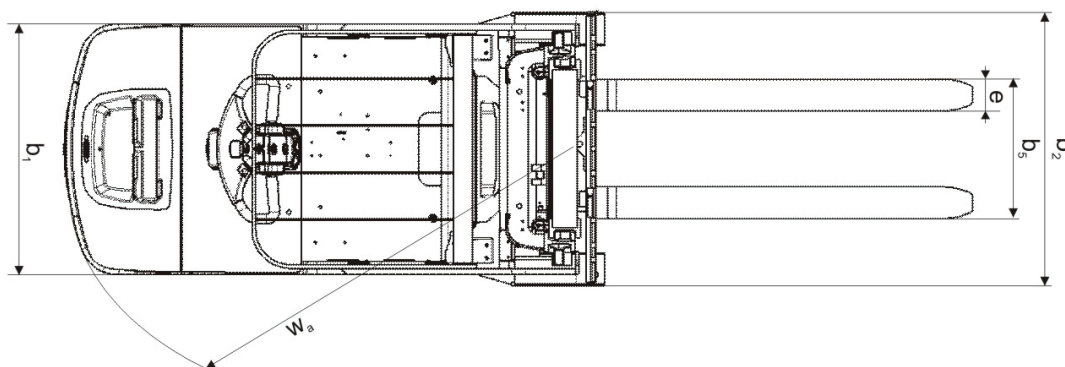
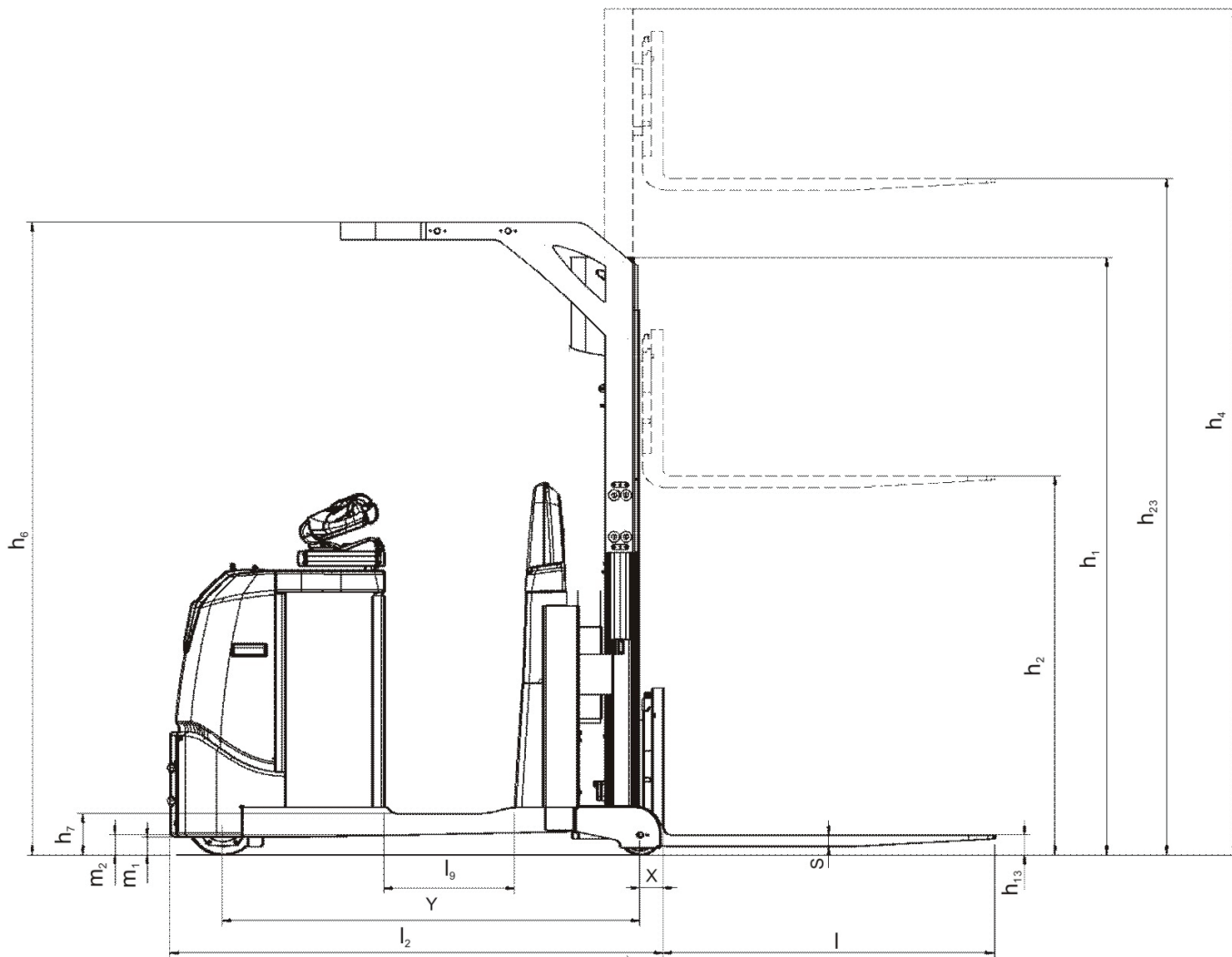
Truck performance and dimensions are nominal and subject to tolerances.

Toyota Material Handling Manufacturing Sweden AB products and specifications are subject to change without notice.

Mast dimensions

BT optio

| OSE120CB | | | Simplex | | | Duplex Tele | | | | | Duplex Hi-Lo | | | | |
|------------------------------------|----------|----|---------|------|------|-------------|------|------|------|------|--------------|------|------|------|------|
| Total lift height ($h_{13}+h_3$) | h_{23} | mm | 1400 | 1700 | 1800 | 2700 | 2900 | 3300 | 3700 | 4150 | 2700 | 2900 | 3300 | 3700 | 4150 |
| Height, mast lowered | h_1 | mm | 1820 | 2120 | 2220 | 1841 | 1941 | 2141 | 2341 | 2475 | 1836 | 1936 | 2136 | 2336 | 2561 |
| Free lift | h_2 | mm | 1400 | 1700 | 1800 | 110 | 110 | 110 | 110 | 110 | 1396 | 1496 | 1696 | 1896 | 2121 |
| Lift movement | h_3 | mm | 1350 | 1650 | 1750 | 2650 | 2850 | 3250 | 3650 | 4100 | 2650 | 2850 | 3250 | 3650 | 4100 |
| Height of truck, max. | h_4 | mm | 1980 | 2280 | 2380 | 3280 | 3480 | 3880 | 4280 | 4720 | 3280 | 3480 | 3880 | 4280 | 4720 |



Truck features:

- Order picker with stacker possibilities, two trucks in one
- The same truck can be used for order picking as well as for replenishment, block stacking
- Low step-in height
- Integrated shrink film holder in truck front
- Optimised Truck Performance, (OTP) speed adjustment when cornering etc
- E-man steering for ergonomic and simple handling
- Three mast types available, Simplex, Duplex & Triplex
- Adjustable forged forks for maximum flexibility
- Available with and without overhead guard
- Extra platform dampening for bad floors (option)
- Available with lithium ion or lead/acid batteries

