

# 8RFBA SERIES



### Long Operating Time & Long Battery Life

- Long Operating Time
- Load-handling Regenerative System
- Battery Protecting Function



### Easy Operation

- Operator's Compartment
- Fork View Camera **OPT**
- Laser Marker (Cross Type) **OPT**
- Height Selector II **OPT**
- Easy Entry and Exit



## ELECTRIC POWERED VNA TRUCK



### Safety

- Rear-positioned Head guard Pillar
- Shock less Landing
- Automatic Turn-speed Control
- Automatic Vehicle-speed Control
- Anti-rollback



### Maintenance

- Battery Connector Handle with Grip long **OPT**



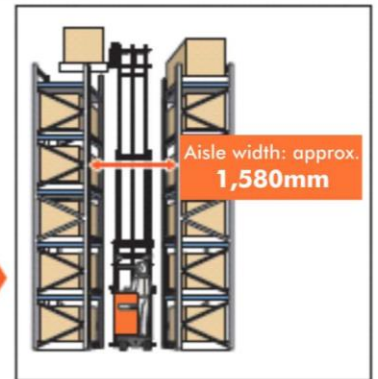
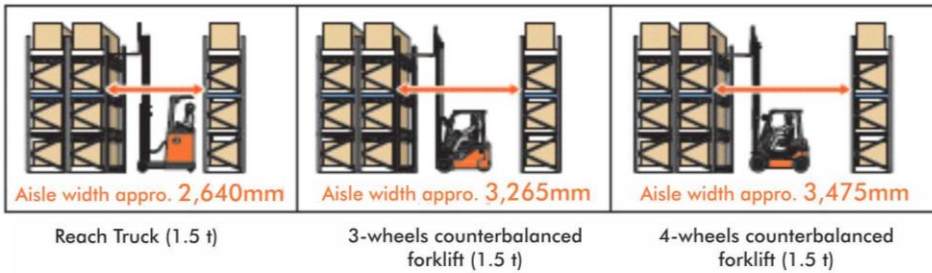
### Management

- Battery Data Logging **OPT**
- Telematics (I\_Site) **OPT**

## Dramatically Increase Storage Capacity by Narrowing Aisle Width and Utilizing High Height Space.

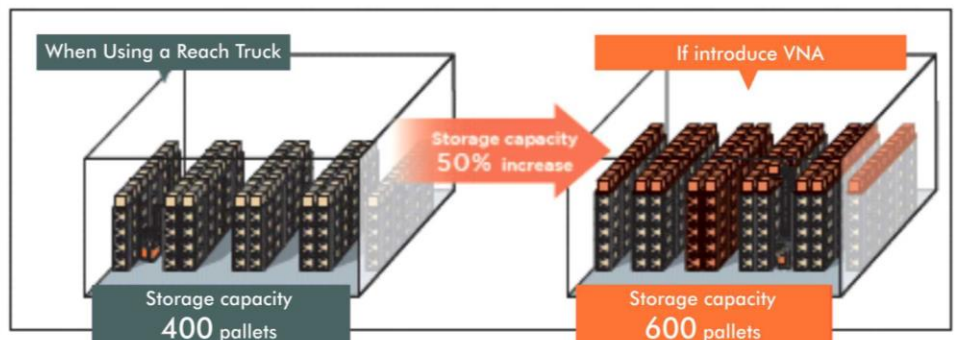
### Narrow Aisle Width

Load-handling operations in three directions - to the front and to either side make it possible to narrow the aisle width to almost the same dimension as the vehicle width.



### Large Storage Capacity

The ability to reduce aisle width to a minimum and the high lift height mast (max 7.5 meters) ensure effective use of space. This can help achieve a dramatic increase in storage capacity.



This is not actual body copy. This is just a dummy copy.

# Main Specifications

Model		Standard Type				High-mast Type		
		8RFBA7	8RFBA10	8RFBA12	8RFBA15	8RFBA(S)10	8RFBA(S)12	8FBS(S)15
<b>Operation Position</b>		<b>Stand-up</b>	<b>Stand-up</b>	<b>Stand-up</b>	<b>Stand-up</b>	<b>Stand-up</b>	<b>Stand-up</b>	<b>Stand-up</b>
Load Capacity	kg	700	1,000	1,200	1,450	1,000	1,200	1,500
Load Center	mm	550	550	550	550	550	550	550
Overall Width (Pallet type 1,100 / Pallet type 1,200)	A mm	1,450/1,550	1,450/1,550	1,550/1,650	1,550/1,650	1,450/1,550	1,590/1,550	1,550/1,650
Turning Radius (Outside)	B mm	1,580	1,750	1,750	1,910	1,910	1,910	1,910
Max Lowered Height	mm	2,695	2,795	2,795	3,045	2,795	2,795	3,045
Overall Length	C mm	2,570	2,750	2,750	2,900	2,900	2,900	2,900
Stacking Aisle Width (Pallet type 1,100 / Pallet type 1,200)	mm	1,450/1,580	1,480/1,580	1,580/1,680	1,580/1,680	1,480/1,580	1,580/1,680	1,580/1,680
Main Aisle Width (Pallet type 1,100 / Pallet type 1,200)	mm	2,930/3,030	3,100, 3,190	3,080/3,170	3,250/3,350	3,250/3,340	3,230/3,380	3,240/3,340

\* V Mast (Standard Max Type)

## Standard Type



No capacity reduction at lift height of 4m

Note A † 3.5m for this 1.5 t truck

## High-mast Type



High-mast Type is suitable for worksites need higher load stacking

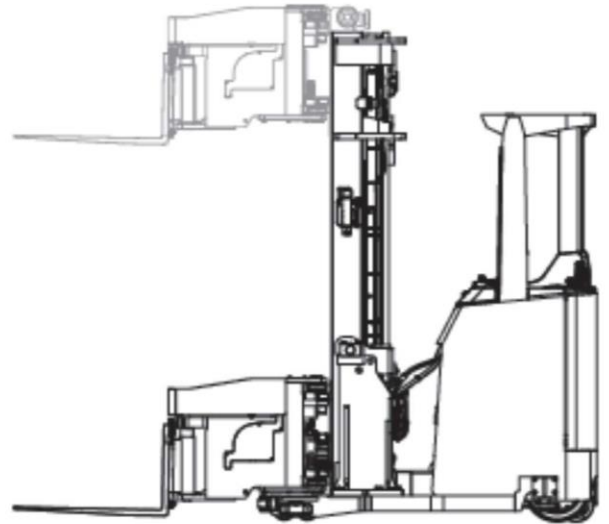
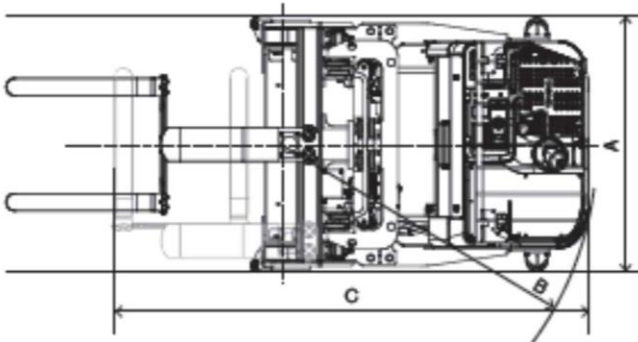
Smaller capacity reduction at high lift height enables stable high-stacking operations, supporting effective use of space.

No capacity reduction at lift height of 5m

Note A † 4.5m for this 1.5 t truck

# Battery and Motor Specifications

Model			8RFBA7	8RFBA10	8RFBA12	8RFBA15	8RFBA(S)10	8RFBA(S)12	8RFBA(S)15
Voltage Capacity (5 hour rating)	Min	V/AH	48/280	48/280	48/280	48/320	48/390	48/390	48/390
	Max	V/AH	48/370	48/445	48/445	48/445	48/445	48/445	48/445
Electric Motor	Drive	KW	4.9	5.2	5.2	5.2	5.2	5.2	5.2
	Load Handling	KW	8	11	11	11	11	11	11
	Power Steering	KW	0.25	0.35	0.35	0.35	0.35	0.35	0.35



## TOYOTA MATERIAL HANDLING INDIA PVT. LTD.

Head Office : 43 Milestone NH-8, Delhi-Jaipur Highway, Gurgaon – 122004, Haryana Tel: 1800-300-000-75  
E-mail: info.sales@tmhin.toyota-industries.com, Web: www.toyotamaterialhandlingindia.com

For Enquiries : Delhi/Chandigarh/Jaipur (M: +91-9582255579, T: +91 124 3877102), Bangalore/Hyderabad/Vizag (M: +91-9164890998, T: +91 80 27835605)  
Chennai/Cochin/Coimbatore (M: +91-9655704445, T: +91 44 23727679), Pune/Mumbai/Ahmedabad (M: +91-8600011280, T: +91 20 27451616)

## TOYOTA

TOYOTA MATERIAL HANDLING INDIA

TOLL FREE NUMBER : 1800-300-000-75