

# 8FBS SERIES



### Long Operating Time & Long Battery Life

- Long Operating Time
- Battery Protecting Function **OPT**



### Easy Operation

- Operator Friendly Compartment
- Easy Entry and Exit



### Maintenance

- Battery Connector Handle with long Grip
- Battery reach out system



### Safety

- Automatic Turn-speed Control
- Shock less Landing
- Anti-rollback
- LED Blue light **OPT**
- Load weight indicator



### Management

- Battery Data Logging **OPT**
- Telematics (I\_Site) **OPT**

## Flexible Travel Control Boosts Work Efficiency, Saves Space for Carrying Lengthy Loads.



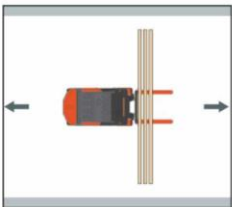
### Sideways Travel Mode

This mode enables sideways travel for carrying lengthy items through narrow aisles.

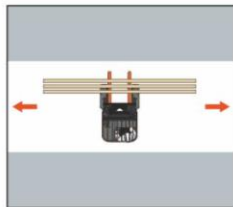


### Space Savings

By traveling sideways, even the truck with lengthy load can move through narrow aisle close to the vehicle length.



Counterbalanced forklift



8FBS(Sideways travel mode)

### 4-way Acceleration Lever **Option**

For sideways travel, operating the lever to the left or right moves the truck to the left or right. It enables intuitive travel operation.



### 360 Rotation Mode

The center point for turning becomes close to the center of vehicle, enabling smaller turning radius than reach trucks.



### Small Turning Radius

# 1,225mm

Note: 1.5 ton model (360 rotation mode)



### Compact Body

The compact overall width contributes to even greater space savings.

### Overall width

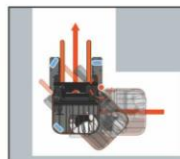
# 1,240mm

Note: 1.5 ton model



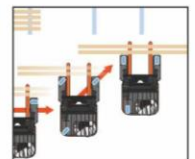
### Right Angle Turn Mode

Truck can make right angle turn in narrow aisles, by controlling the center of turning to be on the side of the truck.



### Parallel Travel Mode

Truck can travel parallel way to all directions. This makes it easy to adjust the position when approaching a rack with lengthy load.



# Main Specifications

Model		Standard Type (High Model Type)						High-mast Type	
		8FBS10	8FBS13	8FBS15	8FBS18	8FBS(S)20	8FBS(S)25	8FBS(S)20	8FBS(S)25
Operation Position			Stand-up	Stand-up	Stand-up	Stand-up	Stand-up	Stand-up	Stand-up
Load Capacity	kg	1,000	1,250	1,500	1,800	2,000	2,500	2,000	2,500
Load Center	mm	500	500	500	500	500	500	500	500
Overall Width	A mm	1,240	1,240	1,240	1,240	1,365	1,365	1,365	1,365
Turning Radius (Outside)	B mm	1,185	1,185	1,225	1,240	1,270	1,285	1,270	1,285
Overhead Guard Height	C mm	2,250	2,250	2,250	2,250	2,330	2,330	2,330	2,330
Length to Fork Face	D mm	1,050	1,050	1,155	1,155	1,250	1,270	1,250	1,270

\* 360 rotation mode

## Standard Type



8FBS15

8FBS25

No capacity reduction at lift height of 4m

## High-mast Type

High-mast Type is suitable for worksites need higher load stacking

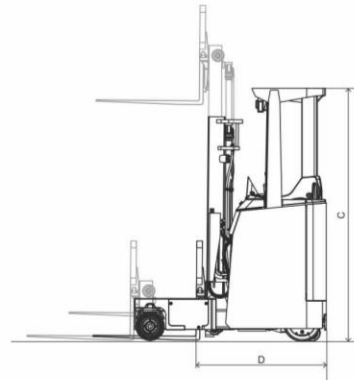
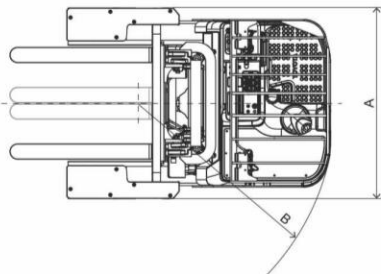
Smaller capacity reduction at high lift height enables stable high-stacking operations, supporting effective use of space.

Note: The SV4000 mast is standard on the high-mast type.

No capacity reduction at lift height of 5m

# Battery and Motor Specifications

Model			8FBS10	8FBS13	8FBS15	8FBS18	8FBS(S)20	8FBS(S)25	8FBS(S)20	8FBS(S)25
Voltage Capacity (5 hour ratings)	Min	V/AH	48/201	48/280	48/320	48/445	48/320	48/390	48/320	48/390
	Max	V/AH	48/240	48/370	48/445	48/445	48/445	48/445	48/445	48/445
Electric Motors	Drive	KW	4.9	4.9	5.2	5.2	5.2	5.2	5.2	5.2
	Load Handling	KW	8	8	11	11	11	11	11	11
	Power Steering	KW	0.26	0.26	0.35	0.35	0.35	0.35	0.35	0.35



## TOYOTA MATERIAL HANDLING INDIA PVT. LTD.

Head Office : 43 Milestone NH-8, Delhi-Jaipur Highway, Gurgaon – 122004, Haryana Tel: 1800-300-000-75  
E-mail: info.sales@tmhin.toyota-industries.com, Web: www.toyotamaterialhandlingindia.com

For Enquiries : Delhi/Chandigarh/Jaipur (M: +91-9582255579, T: +91 124 3877102), Bangalore/Hyderabad/Vizag (M: +91-9164890998, T: +91 80 27835605)  
Chennai/Cochin/Coimbatore (M: +91-9655704445, T: +91 44 23727679), Pune/Mumbai/Ahmedabad (M: +91-8600011280, T: +91 20 27451616)

**TOYOTA**

TOYOTA MATERIAL HANDLING INDIA

**TOLL FREE NUMBER : 1800-300-000-75**