

ELECTRIC POWERED TOWING TRACTOR

CBT(Y) 4.0 to 6.0 ton

# CBT/CBTY

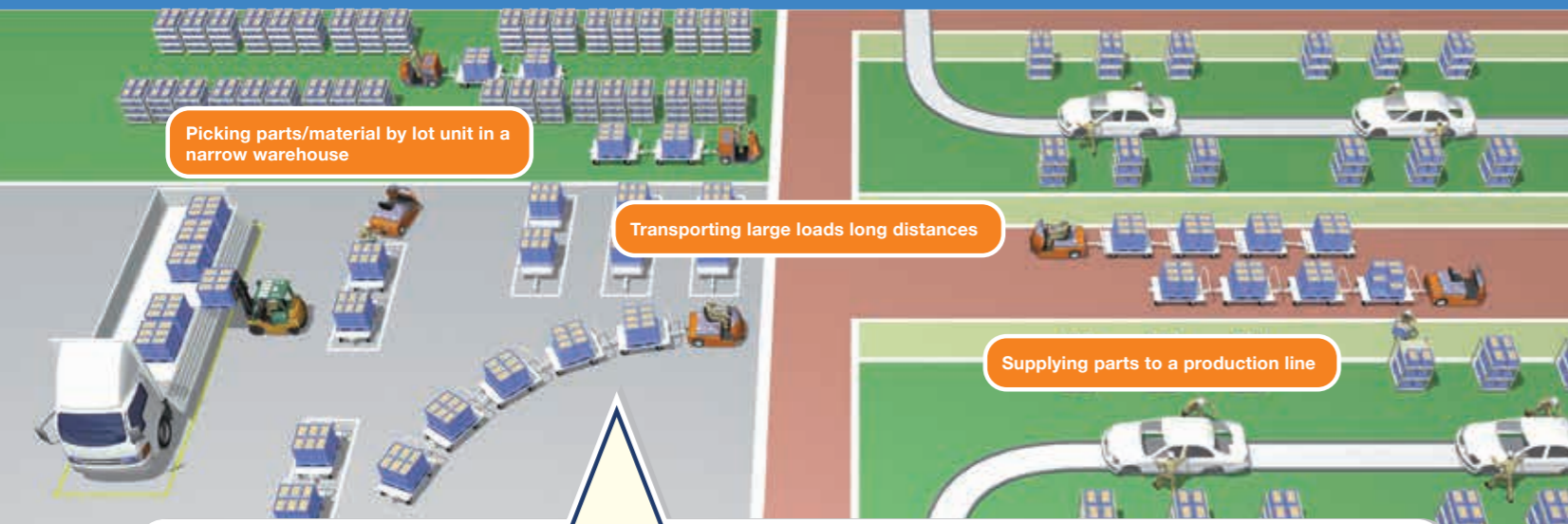
## SERIES





## If You Are Using Forklifts to Transport Materials...

Forklifts are widely used in various logistics situations, from material-handling to transportation. For economy and efficiency, however, forklifts are not the best choice for handling, picking or long-distance transportation of a wide variety of items in bulk or lot unit. Compact towing tractors CBT4/6 (sit-down type) and CBTY4 (stand-up type), which enable easy long-distance transportation of large quantities of materials and provide operator-friendly superior maneuverability and operability, are your powerful material-handling partners in horizontal transportation.



### Drastic reduction in transportation time and cost

Comparison with forklift in time and cost of transporting items by lot unit



By towing loaded dollies linked in series, the CBT/CBTY can transport large loads at one time. A forklift must travel back and forth many times to transport the same load volume.

## Superior Basic Performance

### Compact yet powerful

Small but powerful drive motor. Models CBT4 and CBTY4 provide 2.6kW power, enabling easy transportation of large loads.

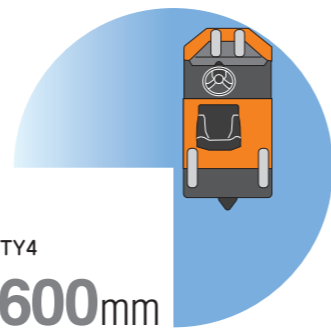
Maximum speed	No load		Towed load of 2 t	
	CBT4 CBTY4	13.5 km/h	9 km/h	
Maximum speed	No load		Towed load of 3 t	
	CBT6	18 km/h	13 km/h	

### Small turning radius

Compact body means small turning radius, enabling smooth travel in limited space.

### Turning radius

CBT4/6	CBTY4
1,775mm	1,600mm



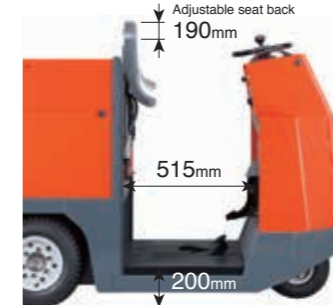
## Operator-friendly maneuverability

### Wide entry/exit and ergonomically optimal driving position

Wide step opening (420mm for CBT4/6; 515mm for CBTY4) enables operator to easily entry and exit frequently. In addition, vertically adjustable sliding seat (CBTY4) and ergonomic seat design with optimal hip-point height (CBT4/6) enhance operator comfort.



CBT4/6



CBTY4

### Full-open hood for easy battery check



CBT4/6

### Battery roll-out for easy battery replacement



CBTY4 (Battery Carrier OPT)

### OPS (Operator Presence Sensing)

The travel power is automatically interrupted if the operator is not in the normal position.

- With Return-to-Neutral Functions, once the OPS has activated, the drive motor will not run until the operator returns the direction selection lever and the accelerator pedal/lever to its neutral position.



Floor Switch or Seat Switch detects the presence of the operator.

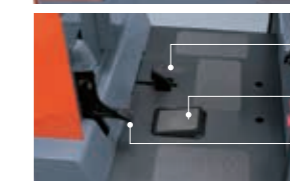


- Headlamp is automatically turned off if the operator leaves towing tractor without turning them off.

- Seat Switch (CBT4/6) and Floor Switch (CBTY4) with Work On Hour Meter is optionally available.

### Easy to operate, even the first time

Easy-view instrument panel and easy-maneuver driving systems enable even first-time operators to operate these towing tractors with ease.



Direction Switch

Hour Meter

Brake Pedal

Accelerator Pedal

Hour Meter

Accelerator Lever

Brake Pedal

Floor Switch

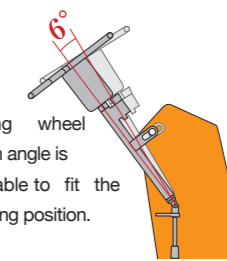
Parking Brake

## Optional Equipment

Variety of optional equipment is available to increase operation efficiency and comfort.

### Tilt steering (CBT4/6 ONLY)

Steering wheel column angle is adjustable to fit the operating position.



### Rear-drawbar lever type (CBT4/6 ONLY)

Dollies can be disconnected easily by seated operator.



### Front bumper (CBT4/6 ONLY)



### Turn signal lights



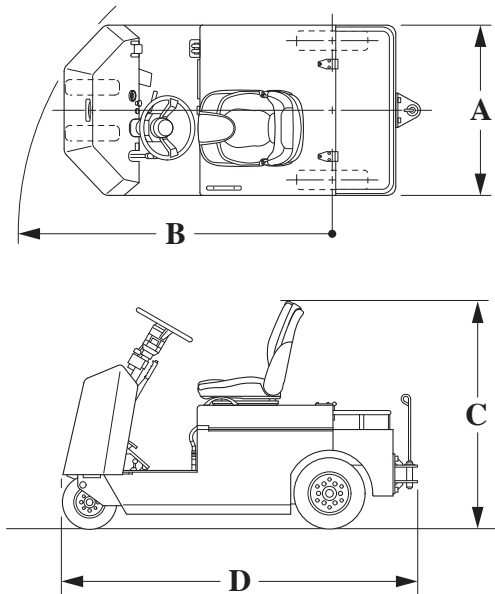
# MAIN SPECIFICATIONS

Model				CBT4	CBT6	CBTY4
Operator Position				Sit-down	Sit-down	Stand-up
Maximum Drawbar Pull	3-Minute Ratings	N (kg)	3,920(400)	4,410(450)	3,920(400)	
Towed Weight	60-Minute Ratings	kg	4,000	6,000	4,000	
<b>A</b> Overall Width		mm	965	965	965	
<b>B</b> Turning Radius (Outside)		mm	1,775	1,775	1,600	
<b>C</b> Overall Height		mm	1,285	1,285	1,185	
<b>D</b> Overall Length	w/ Hitch	mm	2,020	2,020	1,755	
	w/o Hitch	mm	1,880	1,880	1,615	
Battery Voltage/Capacity (5-hour ratings)	STD	V/AH	48/210<216>	48/280<216>	48/160	
	High	V/AH	48/280<305>	48/370<305>	48/250	
Electric Motor	Drive	kW	2.6	4.9	2.6	
Control Type				Transistor Chopper	Transistor Chopper	Transistor Chopper

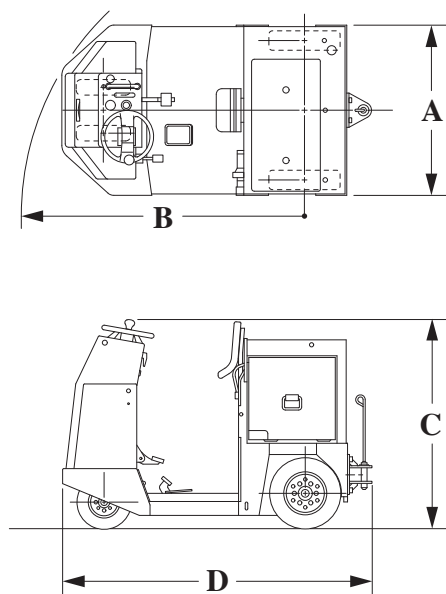
NOTE : < > for Roll-out type battery

The label on the side frame indicates the following things. T: towing, Y: stand-up type (without Y: sit-down type), Number: towed weight

■ CBT4 / CBT6



■ CBTY4



The data in this brochure is determined based on our standard testing condition.  
 The performance may vary depending on the actual specification and condition of the vehicle as well as the condition of the operating area.  
 Availability and specifications depend on region and are subject to change without notice.  
 Due to photography and printing, color of actual vehicle may vary from this brochure. Some photos have been computer-enhanced.  
 Please consult your Toyota representative for details.  
 Photographs may include optional equipment.

All rights reserved by Toyota Industries Corporation.