

# 8FBRE

Electric Powered Reach Truck  
1.2 - 1.4 - 1.6 ton



## The 8FBRE Toyota Reach Truck *When you need effective simplicity*



*Some reach truck applications require a simple approach - a truck that is simply effective.*

*The 8FBRE has been developed specifically for this type of operation - an easy-to-use, practical solution - particularly suited to drivers that have many tasks to deal with during their working day.*

*Built and developed using the Toyota Production System concept this reliable truck will simply do its job. Day after day!*



## The 8FBRE Toyota Reach Truck *Optimized for driver efficiency*

*Adjustable controls to fit all drivers and reduce strain on arms, wrists and shoulders.*

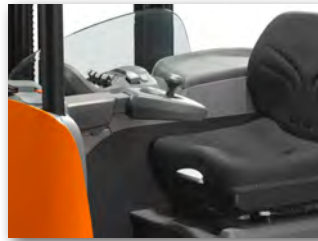
*Good visibility for the driver to ensure safe handling for both goods and other workers.*

*Integrated sideshift for fast and easy sideways adjustment without having to reposition the machine to retrieve the load.*

## Easy Access

The instep is low (379 mm) and has generous space for easy access.

Comfortable grip on front post to grab when entering.



## Adjustable Driving Position

Foldable steering arm provides plenty of space for entering and exiting the truck.

The steering console can be adjusted in angle, height and length and the fingertip control console can be adjusted forward/backward.

The floor is adjustable in three different heights; 450, 495 & 540 mm, seat to floor.

All key driver compartment parts are adjustable and makes the truck suitable for all sizes and types of drivers.



## Easy and logical maneuvering

The truck has electronic mini levers for fingertip control of the hydraulic functions.

Driver parameters can be programmed based on different driver requirements or skills. This includes Steering sensitivity, Top speed, Acceleration and Brake.

Up to 10 different driver profiles and 100 different PIN codes can be stored.

The pedals are located as in a car for immediate recognition and intuitive reaction for the driver. This enhances both safety as well as driver comfort.



## Visibility

The 8FBRE truck is available with two kinds of masts. The Duplex tele, 2-stage mast (V) with panoramic view and the Triplex free lift, 3-stage mast (FSV) with clear view.

Both offers the driver the best possible view of the load and the surroundings.



## AC motors 100% brushless MQS contacts Sealed boxes for electronic cards Hydraulic Quick connections

A high quality level based on the TPS production concept results in low costs for maintenance and reduction in necessary service time.

The focus on reduced service intervals and reduction of downtime has resulted in an improved life time cost.



### Easy maintenance

Easy access to the machine's electronic components makes maintenance and service easy to perform.

The hydraulics connectors are located underneath the battery and are easily reached when the battery is moved.

As the truck has been designed with few components and connection points as well as the Quick connections it enhances productivity and durability as leakage is minimized.

Uses MQS contacts enhances safe and reliable communication also in tough environments.



### Information display

The information display shows battery status, direction indicator, clock, error codes and service interval.

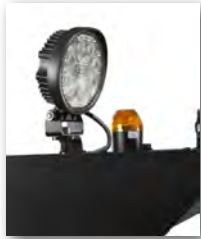
In the Service mode the truck can be controlled, calibrated and diagnosed.



### Easy Battery Change

The battery is fitted on the support arms which makes it easy to change and manage the battery.

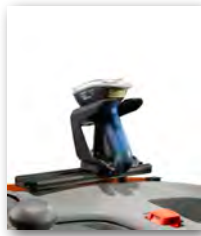
The charging outlet is easily reached besides the mast.



Working lights & Rear view mirror



E-bar, with options to fit writing table, scanner, small item holder and PC



Battery change device



Load support



Drive-in rack version



Three different kinds of seats are available, to suit all applications and drivers: Standard basic, Medium and High backrest.

## 8FBRE 1.2 - 1.4 - 1.6 ton

● standard ○ option

### Truck features

- Adjustable width over forks
- Automatic parking brake
- Clear-view mast
- Clear-view overhead guard
- Electronic braking system
- Electronic regenerative brakes (motor)
- Electronic speed control
- Integrated sideshift
- Load support
- Sideshift
- Tilting forks
- Tilting mast
- Working lights

### Controls and instruments

- 180° steering
- 360° steering
- Access Control (PIN codes)
- Adjustable Control console
- Adjustable deceleration
- Creep speed function
- Drive motor, lift motor and controller temperature warning
- E-bar
- Electronic height indicator
- Electronic fingertip controls
- Emergency cut-off
- Information display including Hour meter (working hours) and steering direction indicator
- Mini-joystick electronic controls
- Pedals as in a car
- Power/Electronic steering
- Split control panel

### Operator features

- Adjustable backrest
- Adjustable floor, 3 levels
- Adjustable seat
- Adjustable seat with safety belt
- Adjustable steering wheel
- Driver detection system (OPS)
- Driver-adapted programmable performance
- Low step-in
- On-board data terminal mount
- Storage compartments
- Writing table

### Maintenance features

- Easy access for maintenance
- Fault diagnosis outlet with fault log

### Battery management features

- Battery change facility
- Battery status indicator
- Battery discharge prevention system
- Sideways battery change

### Special applications

- Drive-in rack version

# 8FBRE

## Main Specifications

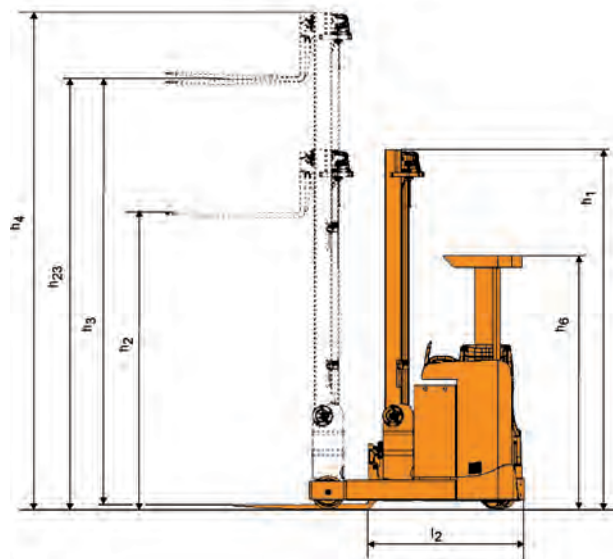
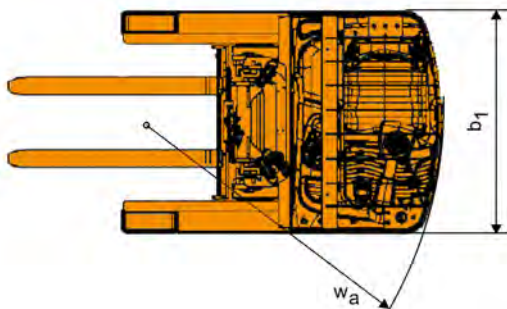
Model		8FBRE12		8FBRE14		8FBRE16	
Operator position		Sit-down		Sit-down		Sit-down	
Load Capacity	kg	1200		1400		1600	
Load Center	mm	600		600		600	
Overall Width	$b_1$ mm	1270		1270		1270	
Turning Radius	$W_a$ mm	1668		1668		1668	
Overhead Guard Height	$h_6$ mm	2153		2153		2153	
Length to Fork Face	$l_2$						
	without sideshift mm	1214		1214/1286		1286	
	with sideshift mm	1252		1252/1324		1324	
	with rollerbed, including sideshift mm	1263		1263/1335		1335	

## Battery and Motor Specifications

Model		8FBRE12			8FBRE14			8FBRE16	
Depth	mm	275	275	275	347	347			
Voltage/Capacity	V/Ah	48/310	48/465	48/465	48/620	48/620			
Electric motor, Drive	kW	5.0	5.0	5.0	5.0	5.0			
Electric motor, Load Handling	kW	10.0	10.0	10.0	10.0	10.0			

## Mast dimensions, mm

		Duplex Tele mast					Triplex Hilo mast									
Lift height		3000	3500	4000	4500	5000	4400	4800	5400	5700	6300	6750	7000	7500	8000	8500
8FBRE12S	Height, mast lowered	$h_1$	2050	2300	2550	2800	3050	2049	2182	2382	2482	2682	2932	3015	—	—
	Free lift	$h_2$	—	—	—	—	—	1416	1550	1750	1850	2050	2300	2384	—	—
	Height, mast extended	$h_4$	3550	4050	4550	5050	5550	5033	5432	6032	6332	6932	7382	7631	—	—
8FBRE12S 8FBRE16S	Height, mast lowered	$h_1$	2050	2300	2550	2800	3050	2049	2182	2382	2482	2682	2932	3015	3223	3390
	Free lift	$h_2$	—	—	—	—	—	1416	1550	1750	1850	2050	2300	2384	2590	2756
	Height, mast extended	$h_4$	3550	4050	4550	5050	5550	5033	5432	6032	6332	6932	7382	7631	8133	8634



The data in this brochure is determined based on our standard testing conditions. The performance may vary depending on the actual specification and condition of the vehicle as well as the condition of the operating area. Due to photography and printing, color of actual vehicle may vary from this brochure, some photos have been computer-enhanced. Photographs may include optional equipment.